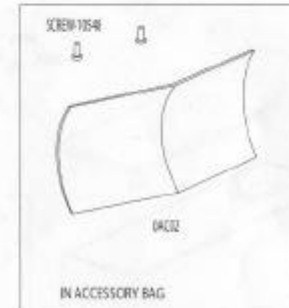
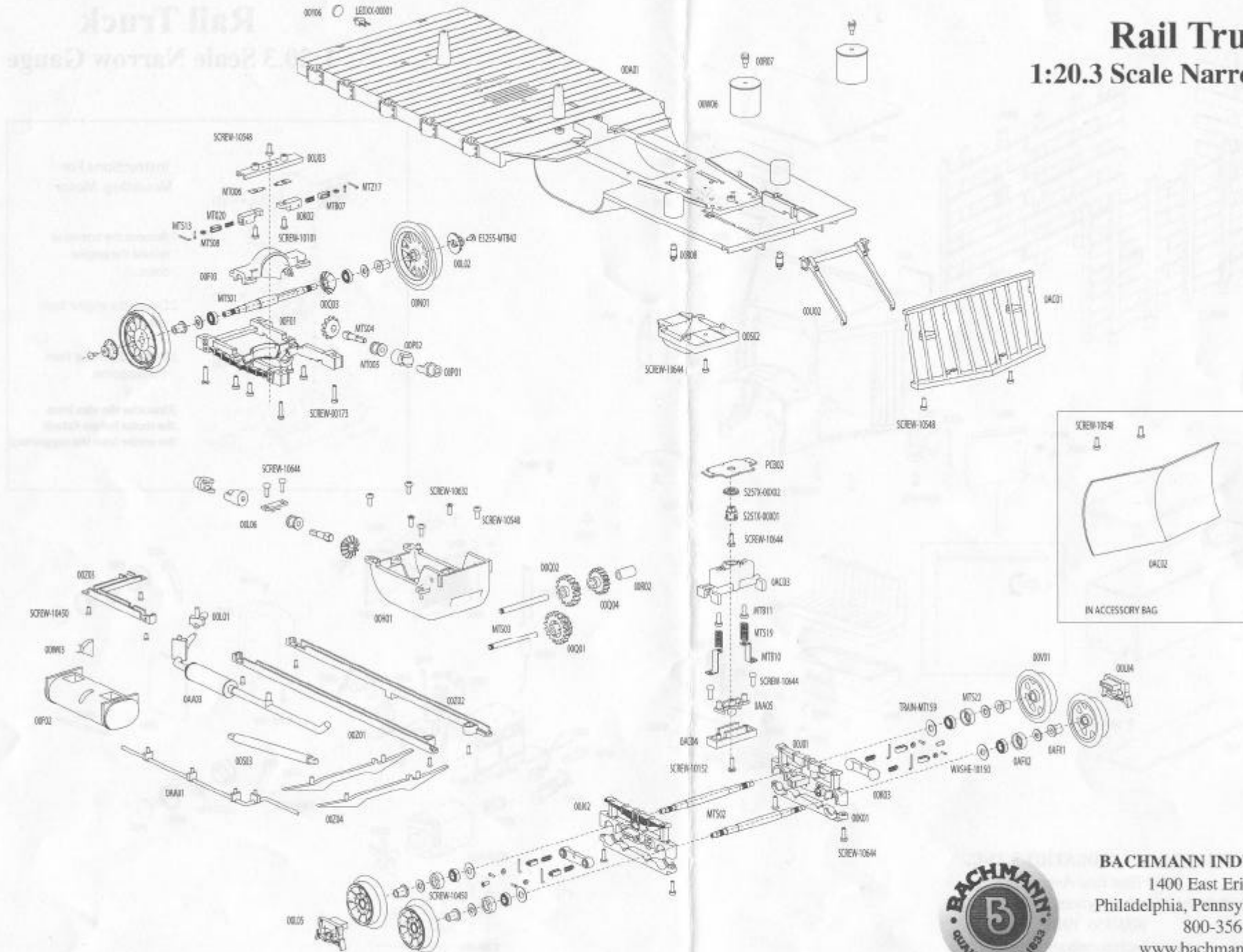


Rail Truck  
1:20.3 Scale Narrow Gauge

# Rail Truck

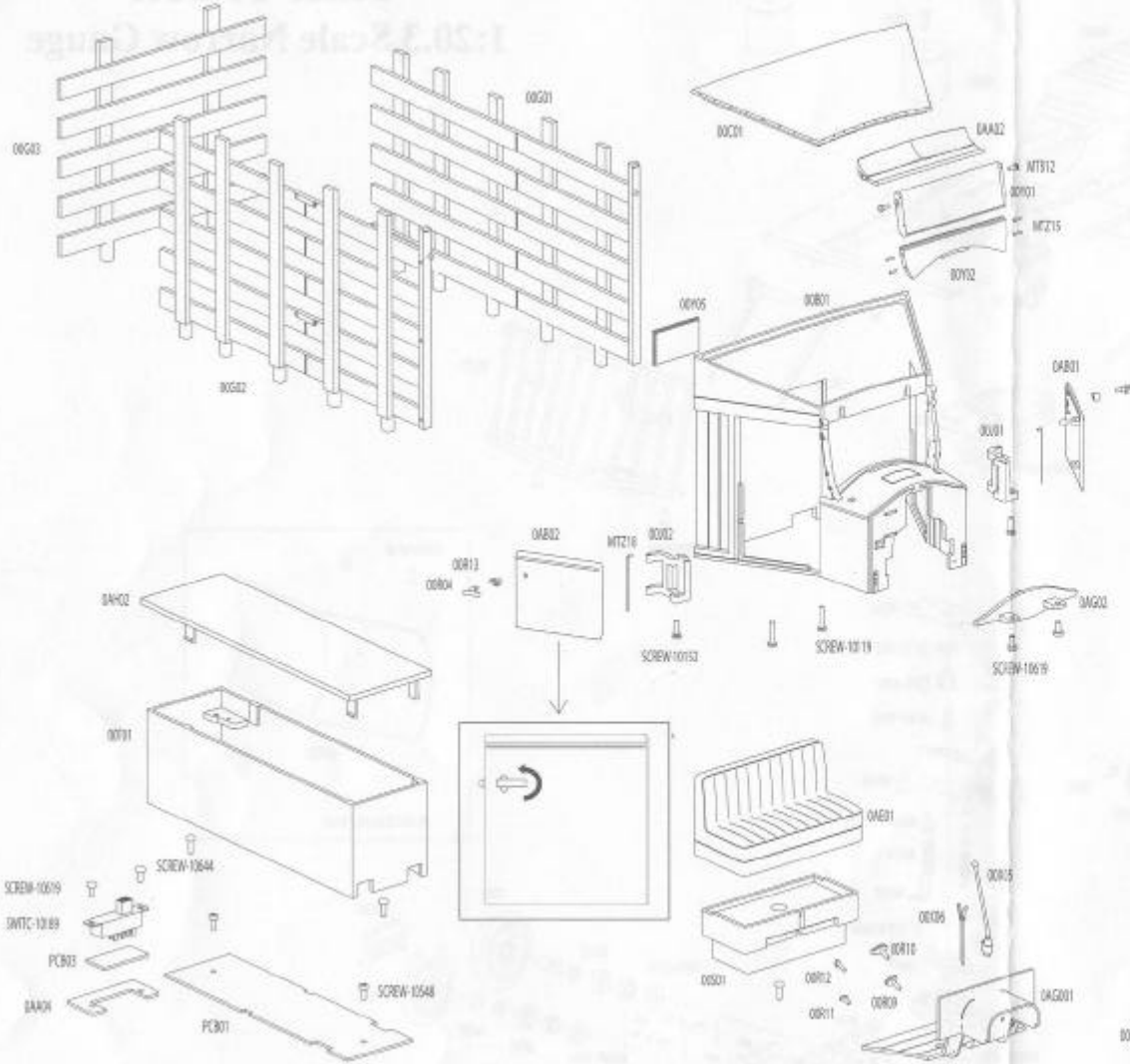
## 1:20.3 Scale Narrow Gauge



**BACHMANN INDUSTRIES, INC.**  
1400 East Erie Avenue  
Philadelphia, Pennsylvania 19124 USA  
800-356-3910  
www.bachmanntrains.com  
Printed in China

# Rail Truck

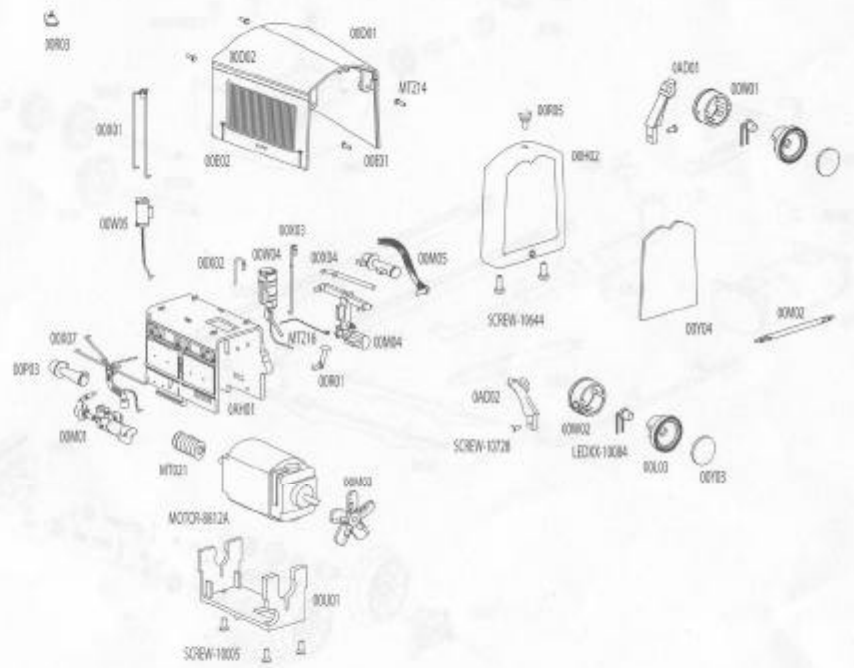
## 1:20.3 Scale Narrow Gauge



**Instructions For Mounting Motor**

1. Remove the screws to release the engine doors.
2. Detach the engine from the base.
3. Detach the motor from the supporter.

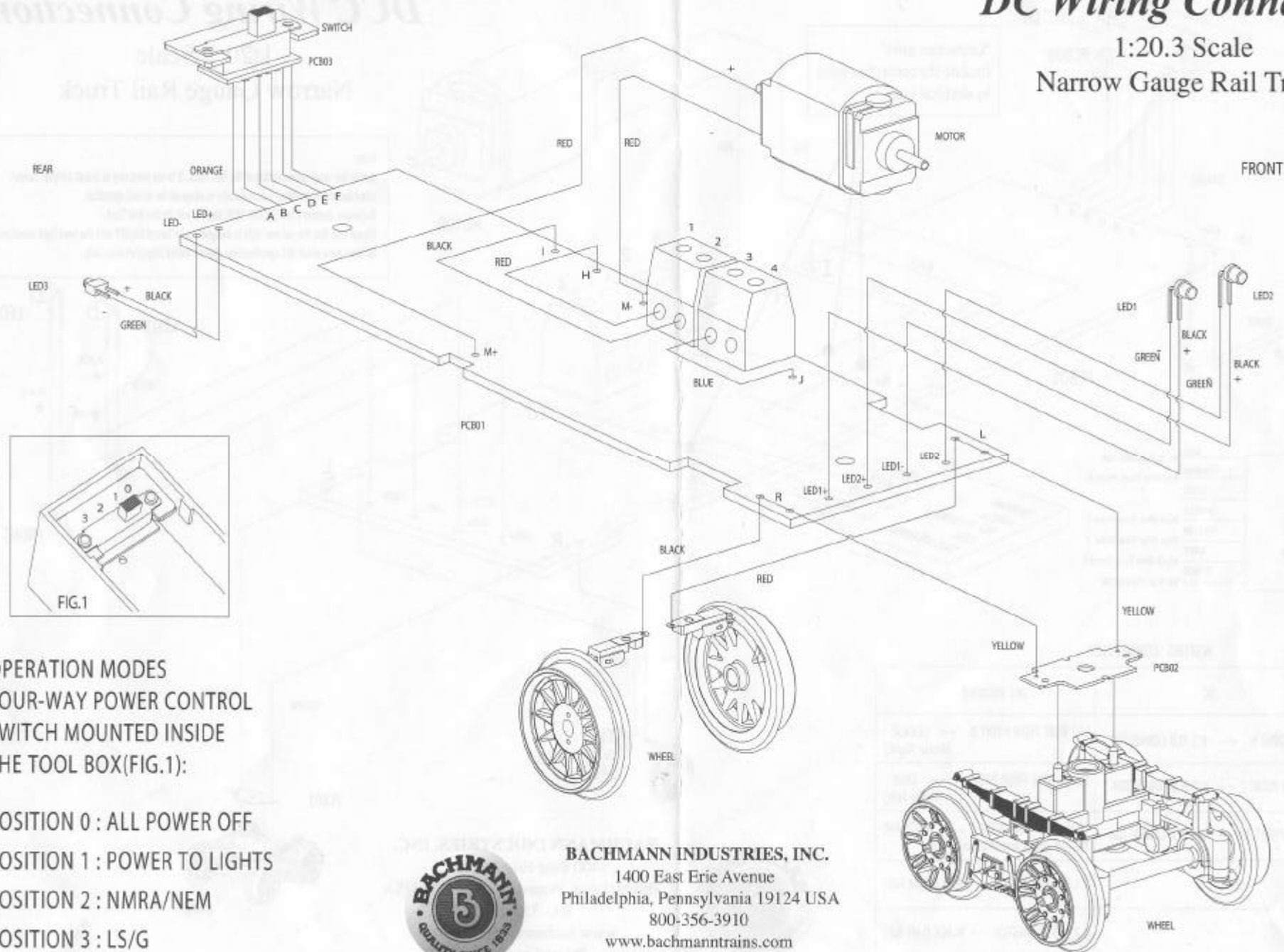
**(Unsold the wire from the motor before detach the motor from the supporter.)**



**BACHMANN INDUSTRIES, INC.**  
 1400 East Erie Avenue  
 Philadelphia, Pennsylvania 19124 USA  
 800-356-3910  
[www.bachmanntrains.com](http://www.bachmanntrains.com)  
 Printed in China

# DC Wiring Connection

1:20.3 Scale  
Narrow Gauge Rail Truck



OPERATION MODES  
FOUR-WAY POWER CONTROL  
SWITCH MOUNTED INSIDE  
THE TOOL BOX(FIG.1):

POSITION 0 : ALL POWER OFF  
POSITION 1 : POWER TO LIGHTS  
POSITION 2 : NMRA/NEM  
POSITION 3 : LS/G



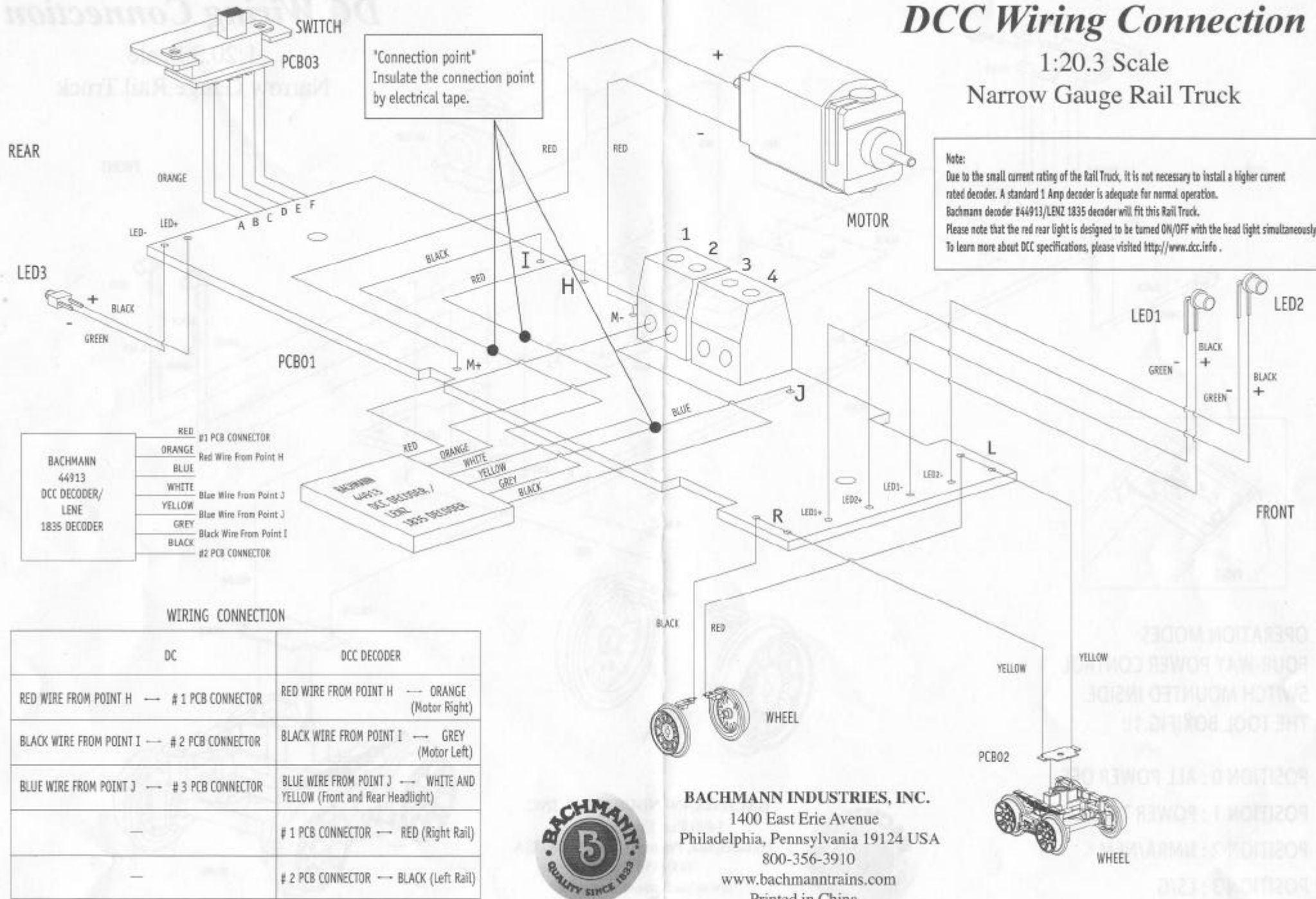
**BACHMANN INDUSTRIES, INC.**  
1400 East Erie Avenue  
Philadelphia, Pennsylvania 19124 USA  
800-356-3910  
[www.bachmanntrains.com](http://www.bachmanntrains.com)  
Printed in China

# DCC Wiring Connection

1:20.3 Scale  
Narrow Gauge Rail Truck

**Note:**

Due to the small current rating of the Rail Truck, it is not necessary to install a higher current rated decoder. A standard 1 Amp decoder is adequate for normal operation. Bachmann decoder #44913/LENZ 1835 decoder will fit this Rail Truck. Please note that the red rear light is designed to be turned ON/OFF with the head light simultaneously. To learn more about DCC specifications, please visit <http://www.dcc.info>.



"Connection point"  
Insulate the connection point  
by electrical tape.

- |   |                               |
|---|-------------------------------|
| BACHMANN<br>44913<br>DCC DECODER/<br>LENE<br>1835 DECODER | RED #1 PCB CONNECTOR          |
|   | ORANGE Red Wire From Point H  |
|   | BLUE                          |
|   | WHITE Blue Wire From Point J  |
|   | YELLOW Blue Wire From Point J |
|   | GREY Black Wire From Point I  |
|   | BLACK #2 PCB CONNECTOR        |

**WIRING CONNECTION**

DC	DCC DECODER
RED WIRE FROM POINT H → # 1 PCB CONNECTOR	RED WIRE FROM POINT H → ORANGE (Motor Right)
BLACK WIRE FROM POINT I → # 2 PCB CONNECTOR	BLACK WIRE FROM POINT I → GREY (Motor Left)
BLUE WIRE FROM POINT J → # 3 PCB CONNECTOR	BLUE WIRE FROM POINT J → WHITE AND YELLOW (Front and Rear Headlight)
—	# 1 PCB CONNECTOR → RED (Right Rail)
—	# 2 PCB CONNECTOR → BLACK (Left Rail)



**BACHMANN INDUSTRIES, INC.**  
1400 East Erie Avenue  
Philadelphia, Pennsylvania 19124 USA  
800-356-3910  
[www.bachmanntrains.com](http://www.bachmanntrains.com)  
Printed in China